

S1 Lantern survey sheet

Bedford Bi-Folds Ltd | 1a Lyon Close, Woburn Road
Ind Est, Bedford, MK42 7SB T 01234 342669

THE NEXT GENERATION
OF ALUMINIUM LANTERN
secure | sustainable | stylish
Performance through innovation



Dimensions (measure to the outside of the upstand)

| | | | |
|-------------|--|------------|--|
| Length (mm) | | Width (mm) | |
|-------------|--|------------|--|

- | | | | |
|--|----------|--|---|
| L min 600 x 600 max 2400 x 2400 | W | | Style 1 <input type="checkbox"/> |
| min 800 x 600 max 3000 x 2400 | | | Style 2 <input type="checkbox"/> |
| min 1200 x 600 max 4000 x 2400 | | | Style 3 <input type="checkbox"/> |
| min 2400 x 600 max 6000 x 2400 | | | Style 4 <input type="checkbox"/> |
| min 3000 x 600 max 6000 x 2400 | | | Style 5 <input type="checkbox"/> |
| min 1800 x 1800 max 3200 x 3200 | | | Style 6 <input type="checkbox"/> |
| min 2000 x 1800 max 3400 x 3200 | | | Style 7 <input type="checkbox"/> |
| min 2000 x 1800 max 4000 x 3200 | | | Style 8 <input type="checkbox"/> |
| min 3000 x 1800 max 6000 x 3200 | | | Style 9 <input type="checkbox"/> |
| min 3600 x 1800 max 6000 x 3200 | | | Style 10 <input type="checkbox"/> |

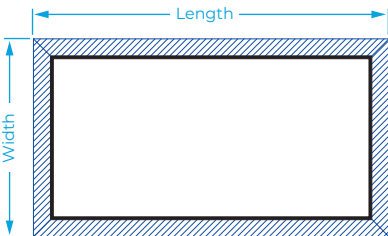
| Colour Matt finish | External | Internal |
|---|--------------------------|--------------------------|
| Pure White 9010 | <input type="checkbox"/> | <input type="checkbox"/> |
| Anthracite Grey 7016 | <input type="checkbox"/> | <input type="checkbox"/> |
| Jet Black 9005 | <input type="checkbox"/> | <input type="checkbox"/> |
| Bespoke <small>Subject to minimum order qty. Price on application</small> | _____ | _____ |

| Glazing 28mm Tint colour | Standard 4/20/4 1.1 U-value | Laminate 4/18/6.8 1.1 U-value | Thermal 6/16/6 1.0 U-value |
|--------------------------------|-----------------------------------|-------------------------------------|----------------------------------|
| Neutral | <input type="checkbox"/> | <input type="checkbox"/> | <input type="checkbox"/> |
| Blue | <input type="checkbox"/> | <input type="checkbox"/> | <input type="checkbox"/> |
| Bronze | <input type="checkbox"/> | <input type="checkbox"/> | |
| Aqua | <input type="checkbox"/> | <input type="checkbox"/> | |
| Unglazed | <input type="checkbox"/> | | |

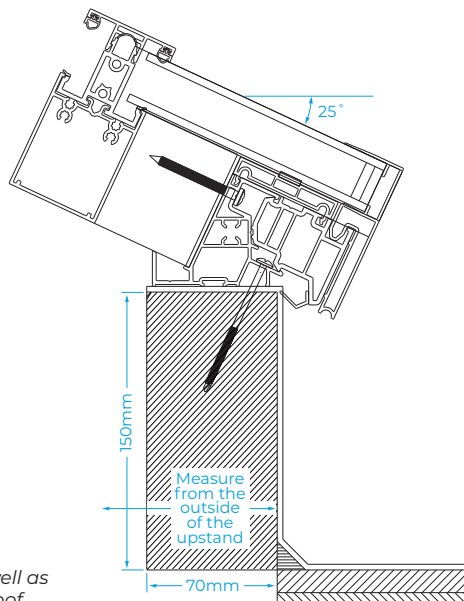


**Smartglass Plus
Low E with
Black Warmedge
Spacer Bar**

- 25° pitch
- 50mm sightlines
Rafter, hip, jack rafters and ridge
- 1.2KN/m² snowload
Covering the whole of the UK up to 200m altitude.



The lantern design assumes that the eaves beam is fully supported along all edges by a structural upstand capable of resisting the full vertical (as well as any lateral spread loads) applied by the lantern roof self-weight plus imposed snow/wind loads.



MINIMUM UPSTAND DIMENSIONS

To order or request a quote for an S1 aluminium lantern roof please fill in this form and email back to **orders@bedfordbifolds.co.uk**

QUOTE ORDER

Job details

Name _____
Reference _____
Contact number _____
Contact email _____
Delivery address for these items

Preferred delivery date _____
Notes

Your details

Name _____
Company _____
Contact number _____
Contact email _____
Address

Signature _____