

CP 130 Sliding Doors

CP 130 is a premium insulated sliding door system combining high weather performance with enhanced security and great aesthetics. Available in slide or lift-and-slide variants, this sliding door system is designed with ease of use in mind.

The system not only glides smoothly, it also has a slim-line mid-section interlock to maximise the glass area and can be specified with our integrated ventilation system, Ventalis. With a maximum vent weight of 300 kg and a maximum height of 2.7 m, this versatile system is ideal for most residential applications.

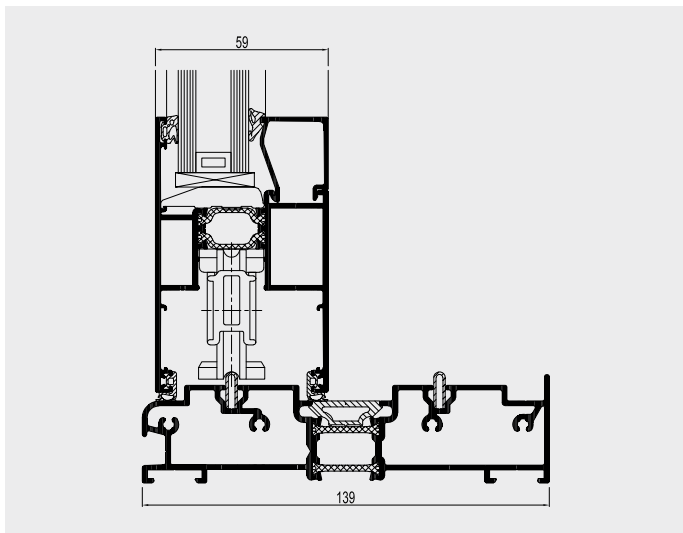
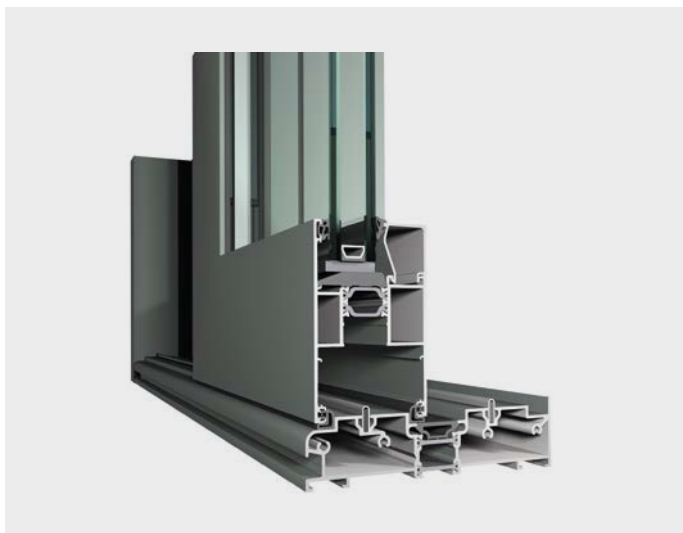
Our revolutionary open corner system for the CP 130-LS makes it possible to open up two sides of a room with no corner post, creating a truly remarkable architectural feature.

Thermal insulation is important for most people in the UK, and the CP 130 offers industry-leading performance in this respect. With a double glazed sealed unit, the CP 130 can offer a whole door U-value as low as 1.5 W/m²K; with triple glazing, this can be further improved to a phenomenal 1.1 W/m²K.

Letting the outside in

A sliding door opens up a multitude of possibilities. Open this door just a few centimetres for a little fresh air, a little wider to slip out into the garden or open it all the way to really let the outside in.

This versatile door creates an extra feeling of space and generates more natural light within the home.



CP 130 Slide and CP 130 Lift & Slide

All variants of the CP 130 sliding door use durable, stainless steel wheels and rails for ease of operation. In the case of the lift and slide system, the sliding door is lifted slightly before opening or closing.

This reduces the friction and makes the operation smooth and effortless. In the closed position, the lift and slide door is lowered onto the track, providing additional weather resistance.



Monorail, duo rail or 3-rail

A **monorail system** combines a moving part with a fixed glazed element that is anchored directly into the outer frame profile for a minimalistic look. The fixed pane is normally set to the inside of the track and is internally beaded.

Monorail	CP 130	CP 130-LS
	X	X

A **duo rail system** integrates two glazed opening vents with an identical appearance, giving an aesthetically pleasing and versatile sliding door. Both vents can be made as sliding elements, giving total flexibility.

Duo rail	CP 130	CP 130-LS
	X	X

A **3-rail system** makes it possible for a third opening vent to be installed. This solution allows the user to slide door leaves one and two behind leaf three, opening up two-thirds of the width to the garden.

3-rail	CP 130	CP 130-LS
	X	X

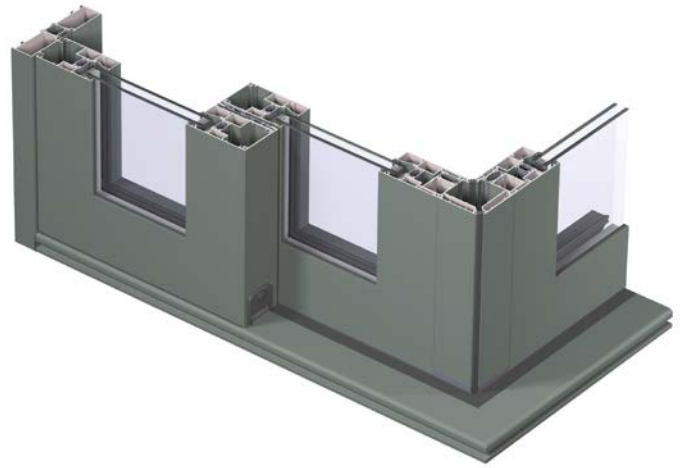
Technical characteristics

Variants		CP 130 Monorail, duo rail and 3-rail	CP 130-LS Monorail, duo rail and 3-rail
Visible width / height	Frame / Threshold	50 / 28 mm	20 / 28 / 35 / 40 mm
	Vent	94 mm	94 mm
	T-profile	from 76 mm to 154 mm	from 76 mm to 154 mm
	Meeting section	69 / 98 mm	69 / 98 mm
	Meeting section 4 doors	194 mm	194 mm
Overall system depth	Frame	Monorail: 130 mm Duo rail: 110 / 130 / 139 mm 3-rail: 181 / 210 mm	Monorail: 139 mm Duo rail: 139 mm 3-rail: 210 mm
	Vent	59 mm	59 mm
Maximum element height		2700 mm	2700 mm
Maximum vent weight		300 kg	300 kg
Rebate height		25 mm	25 mm
Glass thickness		up to 43 mm	up to 43 mm
Glazing method		Dry glazing with EPDM or neutral silicones	
Thermal insulation		23 mm, 18.6 mm and 32 mm fibreglass reinforced polyamide strips	23 mm and 32 mm fibreglass reinforced polyamide strips
HI variant		extra insulation gaskets	extra insulation gaskets

CP 130-LS open corner system

Designed exclusively for the CP 130-LS duo rail system, this clever corner system comprises two sliding units that meet at a corner.

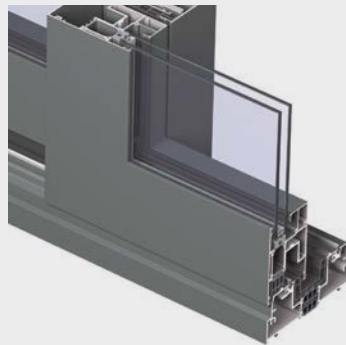
When closed, the thick double weather gaskets protect against the elements; you can then slide the two doors apart to open up the whole corner with no fixed corner post to get in the way or obstruct the view.



Flush floor integration









Slim Line middle section



Ventalis integration



Performances

Energy											
	Thermal Insulation ⁽¹⁾ EN 10077-2	Triple-Glazed U-Value down to 1.1 W/m ² K, Double-Glazed Down to 1.5 W/m ² K depending on the frame/vent combination									
Comfort											
	Acoustic performance ⁽²⁾ EN ISO 140-3; EN ISO 717-1	R _w (C; C _{tr}) = 35 (-2;-6) dB / 39 (-1;-3) dB, depending on glazing type									
	Air-tightness, max. test pressure ⁽³⁾ EN 12207	1 (150 Pa)	2 (300 Pa)	3 (600 Pa)	4 (600 Pa)						
	Water-tightness ⁽⁴⁾ EN 12208	1A (0 Pa)	2A (50 Pa)	3A (100 Pa)	4A (150 Pa)	5A (200 Pa)	6A (250 Pa)	7A (300 Pa)	8A (450 Pa)	9A (600 Pa)	E900 (900 Pa)
	Wind load resistance, max. test pressure ⁽⁵⁾ EN 12211; EN 12210	1 (400 Pa)	2 (800 Pa)	3 (1200 Pa)	4 (1600 Pa)	5 (2000 Pa)	E _{xxx} (>2000 Pa)				
	Wind load resistance to frame deflection ⁽⁵⁾ EN 12211; EN 12210	A (≤ 1/150 Pa)			B (≤ 1/200 Pa)			C (≤ 1/300 Pa)			
Comfort											
	Burglar resistance ⁽⁶⁾ ENV 1627 – ENV 1630	RC 1			RC 2			RC 3			

This table shows classes and values of performance, which can be achieved for specific configurations and opening types.

⁽¹⁾ The Uf-value measures the heat flow. The lower the Uf-value, the better the thermal insulation of the frame.

⁽²⁾ This table shows classes and values of performances which can be achieved for specific configurations and opening types.

⁽³⁾ The air-tightness test measures the volume of air that would pass through a closed window at a certain air pressure.

⁽⁴⁾ The water-tightness test involves applying a uniform water spray at increasing air pressure until water penetrates the window.

⁽⁵⁾ The wind load resistance is a measure of the profile's structural strength and is tested by applying increasing levels of air pressure to simulate the wind force.

⁽⁶⁾ The burglar resistance is tested by static and dynamic loads, as well as by simulated attempts to break in using specified tools. This variant requires specific burglar resistance accessories.



Partner details



Bedford Bi-folds Ltd

Office

1a Lyon Close
Woburn Road Ind Estate
Kempston, Bedford
MK42 7SB

Show Room:

Bay 3, 16 Murdock Road,
Manton Industrial Estate
Bedford. MK41 7PD

Contact

01234 342669
www.bedfordbifolds.co.uk
sales@bedfordbifolds.co.uk

Our partners

Reynaers at Home connects you to a network of carefully selected Partners who will guide you through your home transformation process, from the initial design and specification stages through to the supply and installation of your bespoke aluminium window and door systems.

For more information, please visit
www.reynaersathome.co.uk

Why Reynaers?

For over 50 years, Reynaers Aluminium Ltd has been designing cutting-edge glazing solutions for some of the most iconic buildings in the world.

Engineered without compromise, our ranges of aluminium windows, doors and curtain wall systems have been specified time and again by the world's leading architects and construction companies.



**Reynaers
Aluminium**

**Windows.
Doors.
Conservatories.**

Together for better